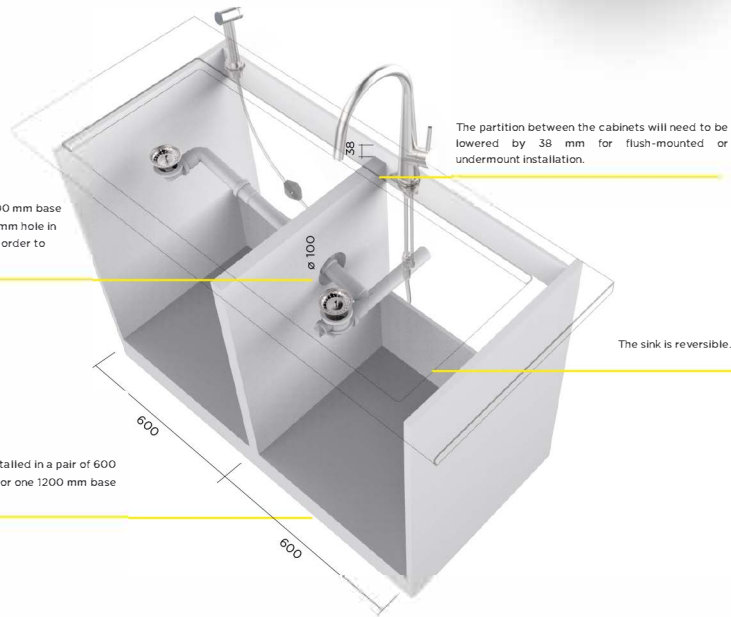


IMPORTANT INSTALLATION INFORMATION

When installing the sink in a pair of 600 mm base cabinets, you will need to drill a 100 mm hole in the partition between the cabinets in order to allow the drainpipe to pass through.



The partition between the cabinets will need to be lowered by 38 mm for flush-mounted or undermount installation.

The sink is reversible.

The sink can be installed in a pair of 600 mm base cabinets or one 1200 mm base cabinet.



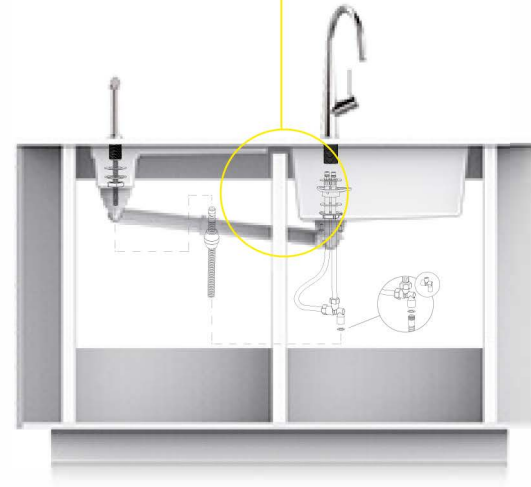
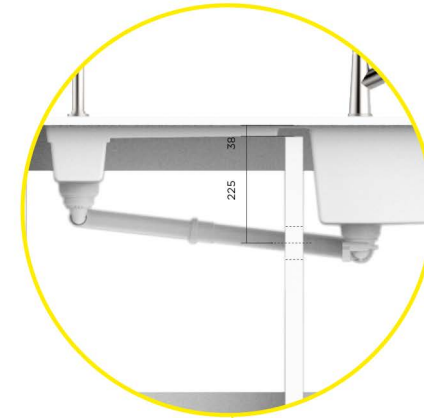
Undermount



Inset



Flush-mounted

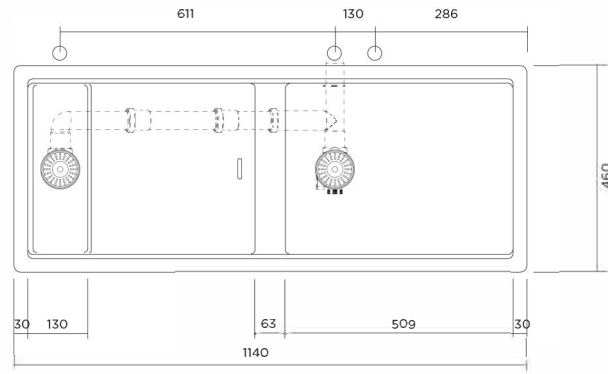


Installation in a pair of open-backed 600 mm base cabinets.

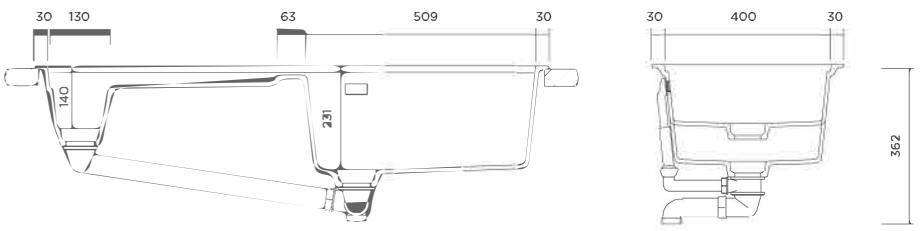


TECHNICAL DATA

For detailed information and the technical installation measurements (pdf/dxf), please see: www.schockde/PRPD150en

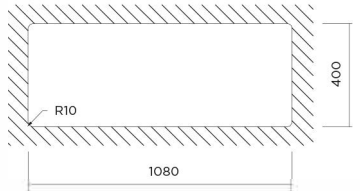
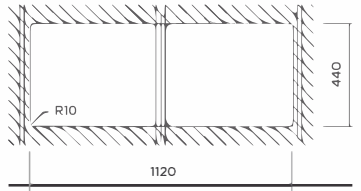


1 SCHOCK recommends positioning the drill holes as shown, but their position can be varied at the customer's request.

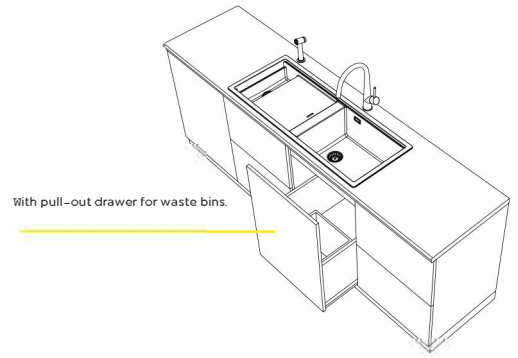
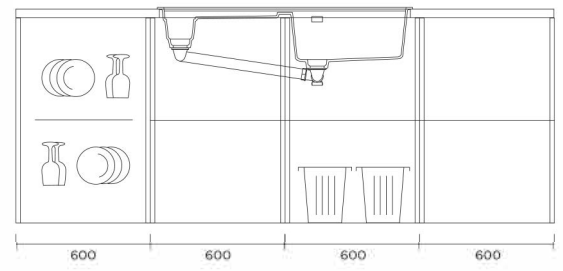
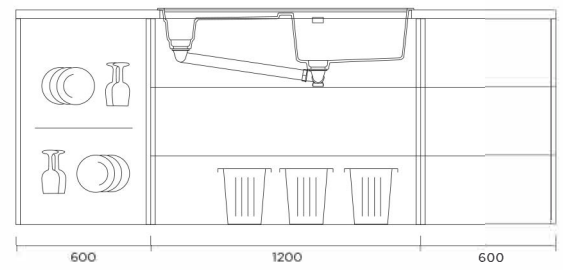
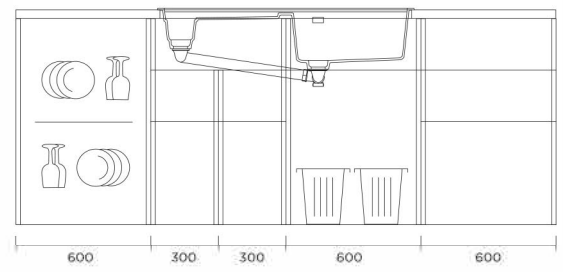
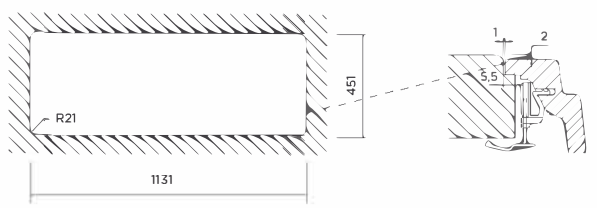


Cut-out measurements for inset installation

Cut-out measurements for undermount installation



Cut-out measurements for flush-mounted installation



With pull-out drawer for waste bins.

Available in the following colours:

- Puro
PUK (24)
- Magma
MAG (97)
- Carbonum
CAR (90)
- Stone
STO (25)
- View-age
VIN (79)
- Bronze
BRB (27)
- SilverStone
SIL (93)
- Magnolia
MGL (99)
- Polaris
POL (55)
- Rouge
ROU (81)

